

CONTINUATION SHEET

PART NUMBER	S57L250S03-S		
RESISTANCE PER WINDING (KOHMS ± 10%)	4.4		
INDUCTANCE (H REF)	TBA		
AC OPERATING VOLTAGE	220		
CAPACITANCE (µF)	0.22		
REF SYNCHRONOUS TORQUE (oz-in)	800		
FREQUENCY (Hz)	50		
SPEED (RPM)	250		
REF ROTOR MOMENT OF INERTIA (g.m <sup>2</sup> )	23 × 10 <sup>-4</sup>		
REF DETENT TORQUE (oz-in)	3.0		
AMBIENT TEMPERATURE RANGE : OPERATING STORAGE	-20°C TO 70°C -40°C TO 85°C		
BEARING TYPE	BRONZE BEARING		
INSULATION RESISTANCE AT 500 VDC	100 MEGOHMS		
DIELECTRIC WITHSTANDING VOLTAGE	1500 ± 50VRMS FOR 2 SECONDS		
WEIGHT (g/oz)	870/30.6		
LEADWIRES	22 AWG, UL 1015		

TABLE 1

SIZE	CODE IDENT NO.	DWG. NO.	
A		S57L250S03-S	
SCALE NONE	REV A1	S57L250S03-S_PS	SHEET

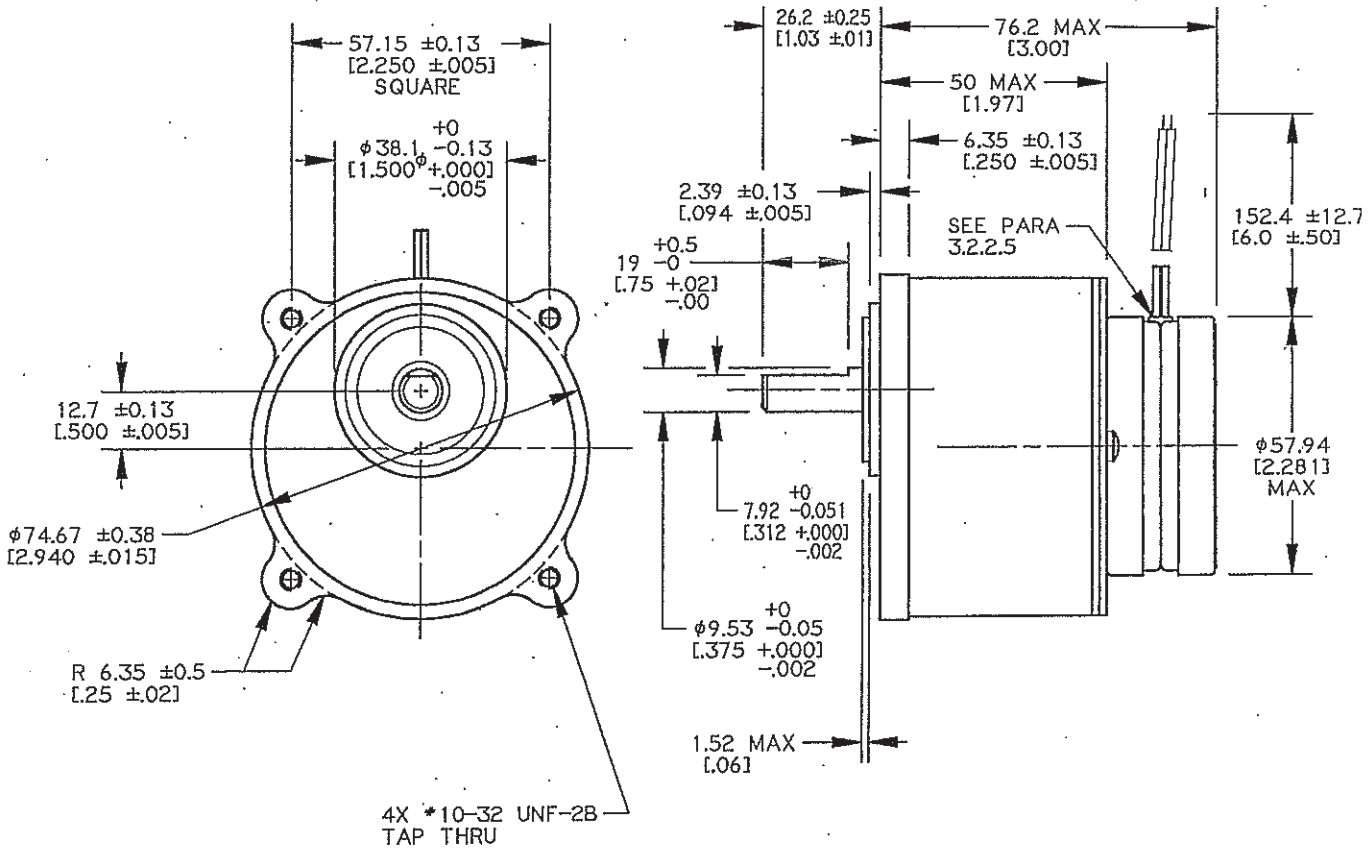


FIGURE 2

SIZE	CODE	IDENT NO.	DWG. NO.
A			S571L250S03-S
SCALE	NONE	REV	A1
			S571L250S03_S_PS
			SHEET 3